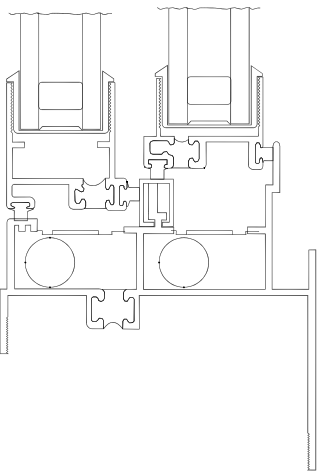
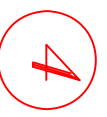
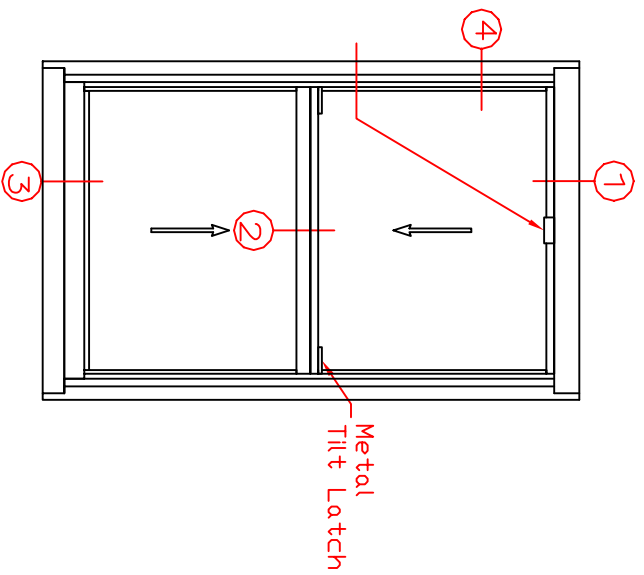
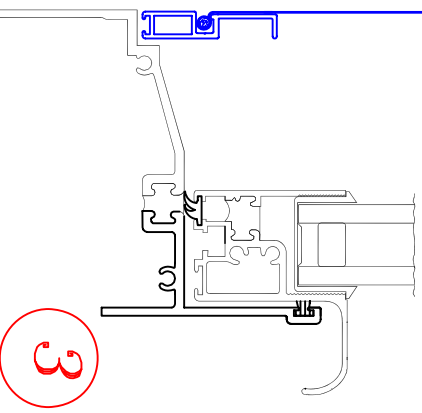
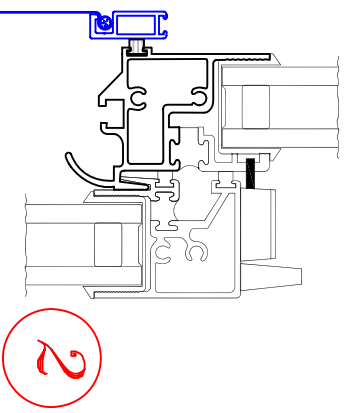
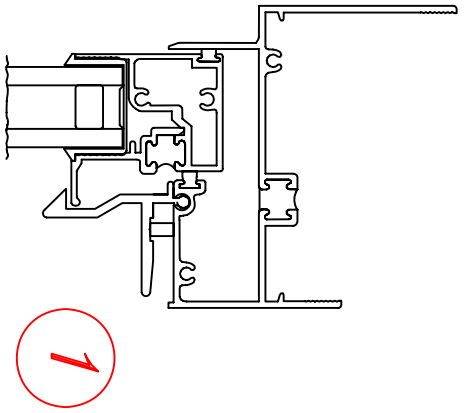


Replacement (with flange)



JOB NAME	DRAWN BY
28 Edgeboro RD, East Brunswick, NJ 08816	ROMY
Phone: (732)238-7100 Fax: (732)238-7225	DATE
	04/23/02